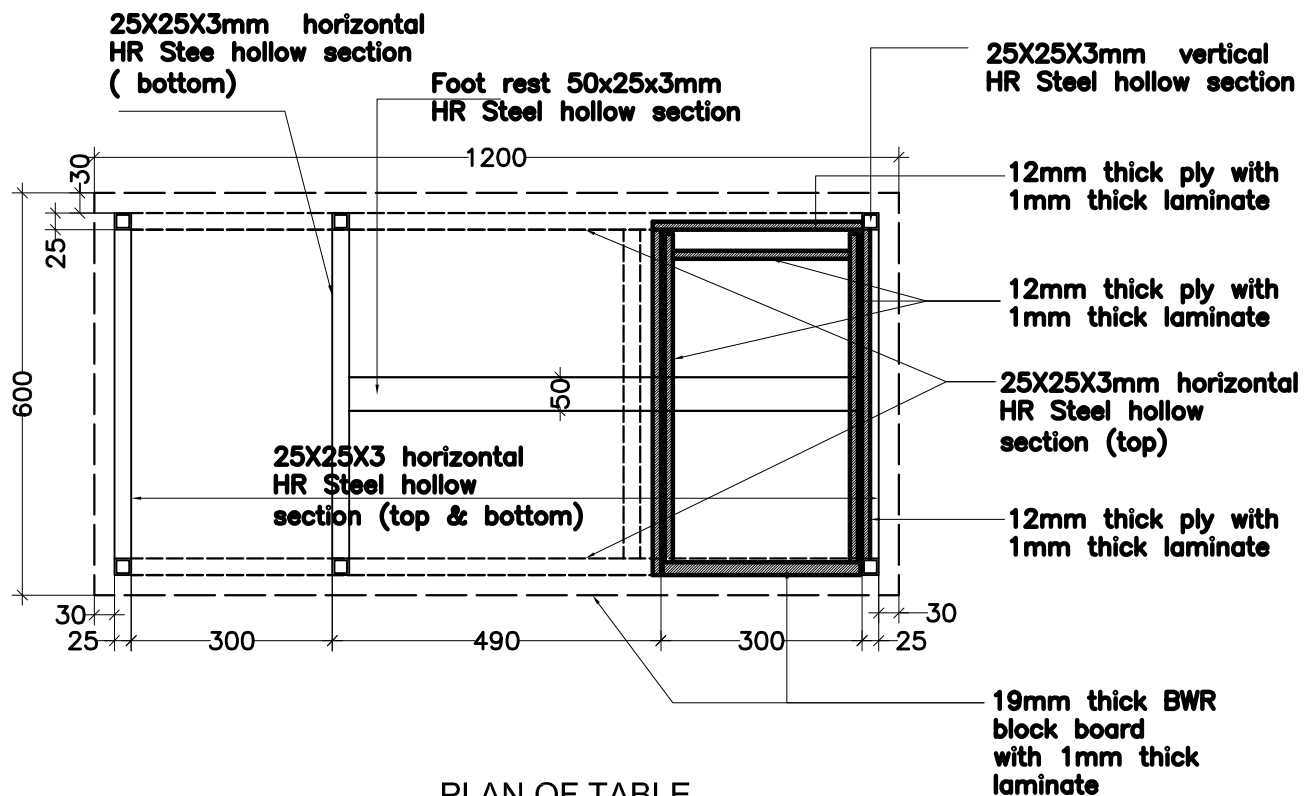


ELEVATION OF TABLE



PLAN OF TABLE

PROJECT

DETAIL OF STUDY TABLE
FOR HOSTELS.

DATE

19-02-10

DRAWING NO

NIT/CE(P)/FURNITURE/01

APPROVED BY